

### Protecting your Screen:

To ensure long lasting viewing enjoyment, always keep the screen rolled up in its protective case when not in use. Always examine both the front and back of surface before retracting the screen into its case to make sure it is free of dust, dirt, insects or foreign matter. Use a soft brush or cloth to gently remove any foreign particles.

### Cleaning your Screen:

NEVER attempt to use any solvents, chemicals or abrasive cleaners on the screen.

Use a mild detergent with warm water to remove any marks on the surface or screen case. Always immediately dry the screen with a soft cloth or towel after cleaning.

### Note:

Warranty does not cover un-installing or re-installing unit.

gv

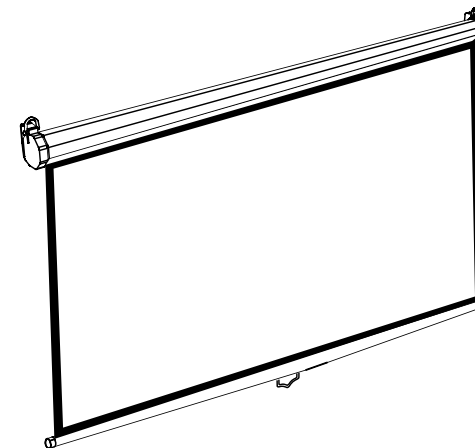
GRANDVIEW®

Imported and Distributed in Australia by  
Herma Technologies PTY LTD  
Factory 4A, 6 Albert St  
Preston, VIC 3072

For more information please go to  
[www.grandviewscreens.com.au](http://www.grandviewscreens.com.au)  
or call 1300 730 025

gv

GRANDVIEW®



Grandview  
Classic Pull Down  
User Manual

## To the owner

Congratulations on purchasing a Grandview projection screen, designed and engineered to produce the sharpest, most pleasing pictures with maximum convenience.

## Before you start

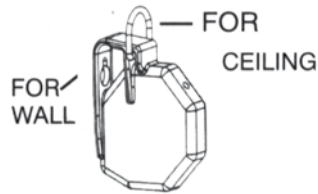
- Use the correct tools: a spirit level, a measuring tape and a pencil to mark with.
- Measure the bracket position accurately before attaching to the wall or ceiling.

## Mecanical Installation

Grandview screens may be mounted on the wall, or from the ceiling to suit your requirements. Always ensure the screen is mounted level and that the back of the case is parallel to the wall.

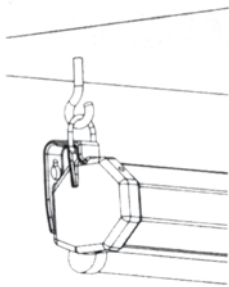
## Wall Installation

Use the keyhole slot at the back of the hanging bracket for flush wall suspension. Position screws or other suitable fasteners into the wall and hang the screen using the slots as shown to the right.



## Ceiling Installation

Two screw hooks placed in a beam or other solid mount can be used to mount the screen as shown to the right.



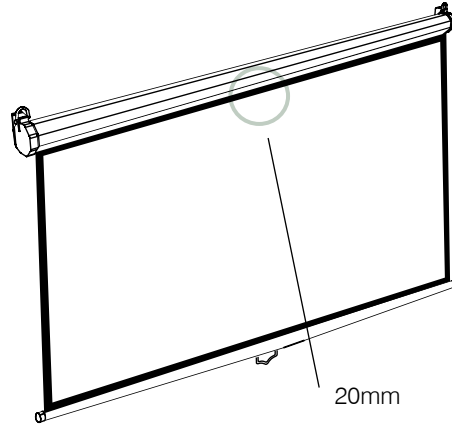
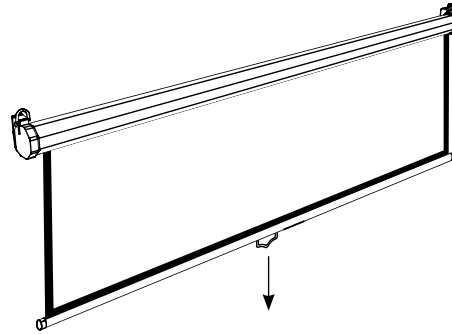
## Operating Instructions

### Lowering the screen:

Using the pull down handle, lower the screen with a gentle even action. Stop when 20mm of black appears above the image area.

DO NOT PULL THE SCREEN DOWN MORE THAN THIS.

The screen will retract slightly before locking in place.



### Raising the screen:

Using the handle, pull down the screen a small way, then allow the screen to raise quickly.

CAUTION: Do not let go of the handle until the screen is fully retracted. Damage from retracting too rapidly can occur. Do not allow the dropper bar to hit the screen case when retracting.

